

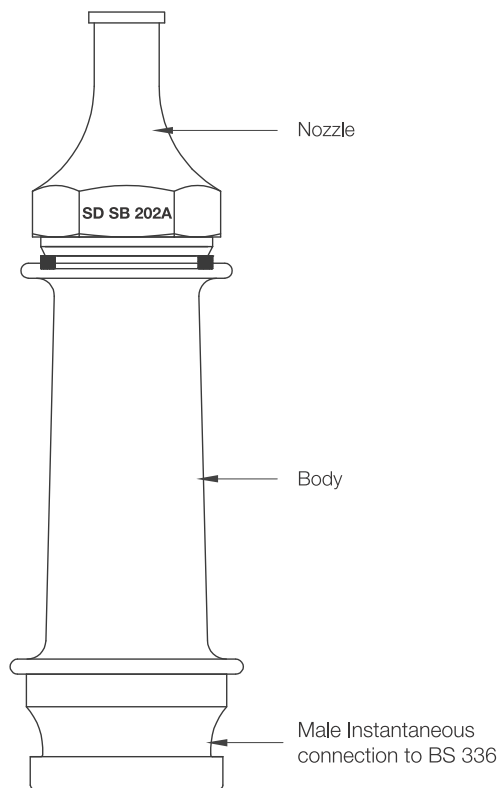
STANDARD BRANCH PIPE

PRODUCT DESCRIPTION

SHIELD standard branch pipe is made by metal, suitable to use with fire hose assembly for fire fighting purpose. The branch pipe has male instantaneous coupling inlet manufactured to comply with BS 336:2010 standards.

FEATURES

- BSI Kitemark.
- Body material made of aluminium alloy.



SPECIFICATIONS

Model Number	SD SB 202A
Type	Standard branch pipe
Body and Nozzle Material	Aluminium to BS EN 1706 : 2010
Inlet Connection	Male Instantaneous Coupling to BS 336:2010
Nozzle Hole Diameter	12.5mm
Working Pressure	16 Bar
Test Pressure	24 Bar