

FIRE HOSE REEL WITH SEMI-RIGID HOSE

PRODUCT DESCRIPTION

SHIELD fire hose reels provide a very effective fire fighting facility with a continuous supply of water available immediately. The construction and performance of a fire hose reel with semi-rigid hose ensures suitable installation in buildings and other construction works for use by the occupants. The fire hose reels are manufactured in both manual and automatic versions to comply to BS EN 671-1:2012 standard with semi-rigid hose complying with BSEN 694:2014 standards.

FEATURES

- BSI Kitemark certified.
- The fire hose reels are capable of rotating in one plane (fixed type) or rotating in more than one plane with mounting on one of the following: swinging arm, swinging pipe or swinging door in manual and automatic version.
- The automatic fire hose reels will open fully within 3 revolution of the reel.
- The nozzle have SHUT, JET and SPRAY control settings.
- The minimum flow rate of hose reels in JET and SPRAY setting is 41 L/MIN. at 0.6 MPa (6 bar) pressure and setting in chrome plated rotary nozzle is 53Lpm at 0.6 Mpa (6 bar) pressure.
- The effective throw range of discharge at 0.2 MPa (2 bar) pressure is 10 mtrs. in JET setting.
- The reel discs are painted RED with printed user instructions.

OPERATING INSTRUCTIONS

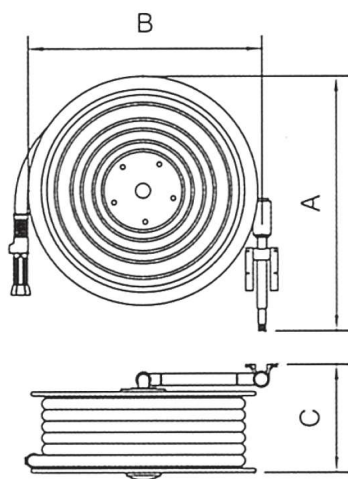
AUTOMATIC HOSE REELS

- Pull out the hose and then water flow will start within 3 rotations.
- Open nozzle, adjust to spray or jet as required.
- Aim nozzle at base of fire.
- After use, close the nozzle and rewind the hose, ensuring that it is properly wound around the hose reel (not overlapping side plates). Open the nozzle to drain water from the hose and then close the nozzle on completion.

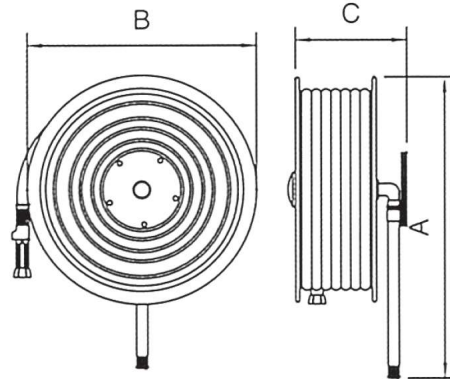
MANUAL HOSE REELS

- Open the main valve fully.
- Pull out the hose.
- Open nozzle, adjust to spray or jet as required.
- Aim nozzle at base of fire.
- After use, close the nozzle, turn off the main valve, rewind the hose, ensuring that it is properly wound around the hose reel (not overlapping the side plates). Open the nozzle to drain water from the hose and then close the nozzle on completion.

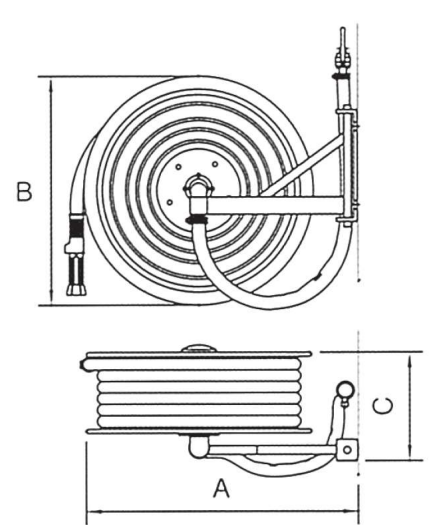




SWINGING PIPE TYPE



FIXED TYPE



SWINGING ARM TYPE

FIRE HOSE REEL ASSEMBLY

Type	Model No.	Hose Diameter & Length	Reel Height (A in mm)	Reel Width (B in mm)	Reel Depth (C in mm)
Swinging Arm <i>(Plastic Nozzle)</i>	SD19HR-SAM/SS	19mm (¾") & 30m	590	550	220
Cabinet Mounted Manual <i>(Brush / Mirror Finish)</i>	SD25HR-SAM/SS	25mm (1") & 30m	595	550	245
Swinging Arm <i>(Brass chrome plated rotary Nozzle)</i>	SD19HR-SAM/SS-B	19mm (¾") & 30m	590	550	220
Cabinet Mounted Manual <i>(Brush / Mirror Finish)</i>	SD25HR-SAM/SS-B	25mm (1") & 30m	595	550	245
Swinging Arm <i>(Plastic Nozzle)</i>	SD19HR-SAM	19mm (¾") & 30m	620	580	200
Cabinet Mounted Manual <i>(Red Painted)</i>	SD25HR-SAM	25mm (1") & 30m	625	580	245
Swinging Arm <i>(Brass Chrome Plated Rotary Nozzle)</i>	SD19HR-SAM-B	19mm (¾") & 30m	620	580	200
Cabinet Mounted Manual <i>(Red Painted)</i>	SD25HR-SAM-B	25mm (1") & 30m	625	580	245
Swinging Arm <i>(Plastic Nozzle)</i>	SD19HR-SAA/SS	19mm (¾") & 30m	590	550	220
Cabinet Mounted Automatic <i>(Brush / Mirror Finish)</i>	SD25HR-SAA/SS	25mm (1") & 30m	595	550	265
Swinging Arm <i>(Brass Chrome Plated Rotary Nozzle)</i>	SD19HR-SAA/SS-B	19mm (¾") & 30m	590	550	220
Cabinet Mounted Automatic <i>(Brush / Mirror Finish)</i>	SD25HR-SAA/SS-B	25mm (1") & 30m	595	550	265
Swinging Arm <i>(Plastic Nozzle)</i>	SD19HR-SAA	19mm (¾") & 30m	620	580	200
Cabinet Mounted Automatic <i>(Red Painted)</i>	SD25HR-SAA	25mm (1") & 30m	625	580	245