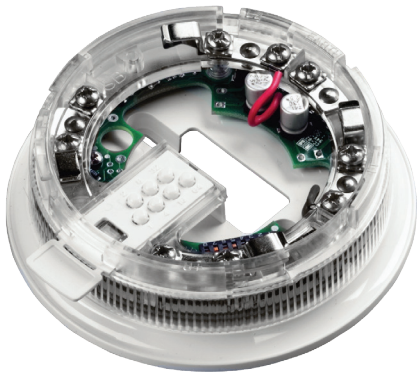


SOUNDER BEACON BASE



S-A4023 / S-A4024

DESCRIPTION

SHIELD Sounder Beacon Base is a loop powered sounder and beacon combined with a standard intelligent Mounting Base. It is used to signal a fire alarm in enclosed areas. The Sounder Beacon Base can be used either with a detector fitted or with a cap for operation as a stand-alone alarm device.

INSTALLATION

On a single gang electrical work box, align the recessed mounting grooves at each side of the included mounting plate over the screw holes of the work box and tighten screws until the plate is secure. On dual gang and octagon electrical work boxes, make sure that two screws at opposing corners of the box are tightened halfway down. Align the screw slot on the mounting plate allowing the remaining screw to come through the appropriate slot. For a dual gang work box, this will be the outer screw slot, allowing the screw to slide securely into the outer rim mounting notch. Tighten the screws until the mounting plate is secure. Drill included self-tapping screws halfway down into the .125 in diameter holes on the inner tabs of the mounting plate. Make sure both hinged screw covers snap closed before placing the Sounder Beacon Base on the mounting plate. Hold the Sounder Beacon Base over the raised screws at a slight angle, allowing the screws to catch the mounting notches on the underside of the base. Tighten the base mounting screws as necessary. Once the base is secure, make sure that all wiring is pulled through.

FEATURES

- Two volume ranges 55 - 75 dB (A) and 75 - 91 dB (A).
- Beacon flash rate of once per second.
- Synchronization of 'alert' and 'evacuate' tones.
- Synchronization of beacon flash.
- Individual and group addressing.
- Unique acoustic and beacon self-test.

Fig. 1 - Wiring diagram

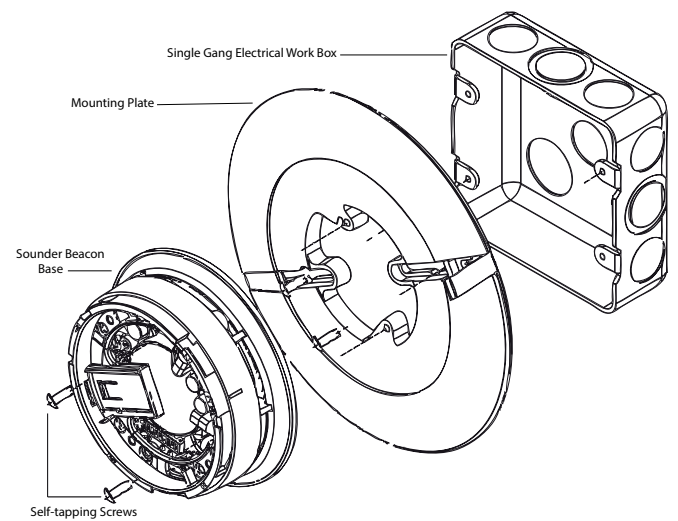
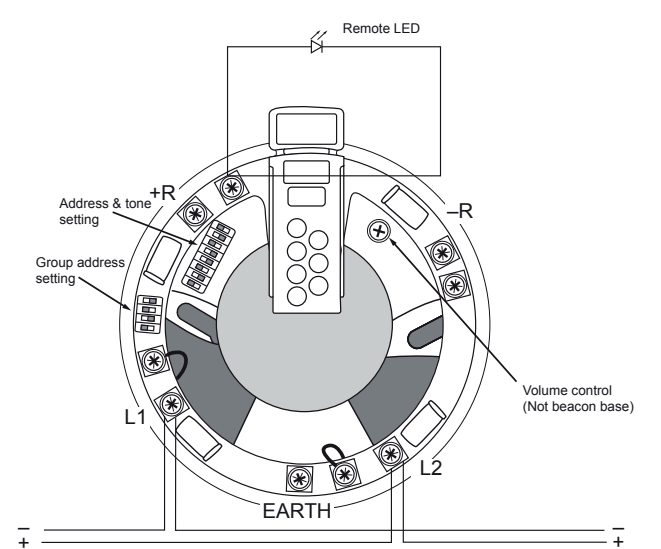


Fig. 2 - Wiring diagram



TECHNICAL DATA

Operating voltage	17 - 28 V DC
Sounder Output	
High Volume Setting	Nominally 66.8-77.6db (A) at 10 Ft.
Low Volume Setting	Nominally 52.5-66.7db (A) at 10 Ft.
Current Consumption at 24VDC (with Protocol Polling)	
Normal Standby	< 900 μ A
Switch - on Surge	1.2 mA for 1 sec.
Sounder/Beacon Operating	8.75 mA
IP Rating	IP21C
Temperature Range	-10°C to +60°C
Humidity Range	0 - 95 %

ORDERING INFORMANTION

Part number	Description
S-A4023	Sounder Beacon Base (Yellow LED's)
S-A4024	Sounder Beacon Base (Red LED's)

