

FIREFIGHTER PHONE SYSTEM2 HANDSETS



FEATURES

- ✓ Made from high impact plastic.
- ✓ Available in Standard or Push-to-Talk Handset.
- ✓ Built-In Noise Filter.
- ✓ Lightweight.

LISTINGS AND APPROVALS

- ✓ ETL ANSI/UL 864.

DESCRIPTION

The NX-TEL2-MCCS and NX-TEL2-MCCS/P are assemblies that include a firefighter phone, phone enclosure and interface module.

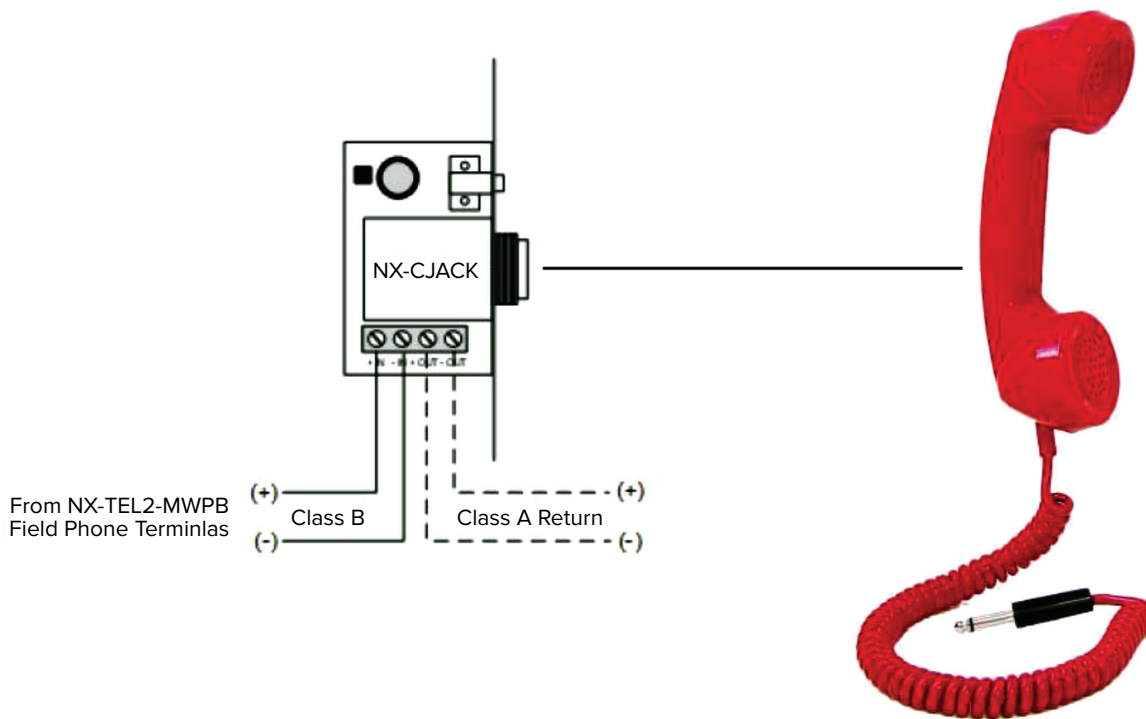
The difference between the NX-TEL2-MCCS and NX-TEL2-MCCS/P is that the NX-TEL2-MCCS/P includes a push-to-talk firefighter phone. Both assemblies interface the Firefighter

Phone System2 command center telephone with the Shield NX-TEL2-RISE riser module.

Both the Shield CCM-01-ID2 (3x3 command center) and CCM-02-ID2 (3x5 command center) inner doors can support an NX-TEL2-MCCS[/P] assembly, mounted in the bottom left side double aperture.

TECHNICAL DATA SHEET

WIRING DIAGRAM



ORDERING INFORMATION

NX-TEL2-P	Firefighter Phone System2 Standard Portable Firefighter Handset (red) with RCA 1/4 " plug
NX-TEL2-PT	Firefighter Phone System2 Push-to-Talk Portable Firefighter Handset (red) with RCA 1/4 " plug
NX-TEL2-NCMS	Noise Canceling Microphone for Standard Phone
NX-TEL2-NCMS	Noise Canceling Microphone for Push-to-Talk Phone