

MINI MONITOR MODULE



S-A4041

DESCRIPTION

The Mini Monitor Module is an interface within an entirely new housing. This allows the unit to be fitted onto a standard 35mm DIN-Rail (using a twist-click motion) or mounted within an enclosure, such as aPull Station. It is designed to monitor the state of one or more single pole, voltage free contacts connected on a single pair of cables and to report the status to compatible analog control equipment.

INSTALLATION

The Mini Monitor Module, parts no S-A4041, monitors the state of one or more single-pole vault-free contacts and may be used in installations where space is limited.

Connect loop wiring to the SEMS terminals as shown in Fig 1.

Set the address using the DIL switch in accordance with the address table overleaf.

The eighth section of the DIL switch is used for setting the priority of the unit. Set to '1' for priority and set to '0' for non priority.

See Fig 1 for wiring options.

Use solid conducted wire only.

Supplied resistors are for test purposes only.

There are three mounting options for this module: 2 x 32/3" screws at 8/1 1" centers.

FEATURES

- DIN-Rail mountable.
- Designed for use where space is limited.
- Limited Interrupt/non-interrupt in one unit.
- Prealarm status available.
- Three, colored LEDs, giving clear status indication.

TECHNICAL DATA

Working Voltage	17 - 28 V DC
UL listed to operate	5-9 V (peak to peak)
Designed to	24 V DC nominal
Current Consumption at 24V	
Quiescent current	200 A
LED Operated Alarm	3.4 mA+Quiescent
Remote and LED alarm	6.2 mA+Quiescent
Switch fault LED	2.8+mA (pulsing 0.5s on, 0.5s off)

The unit can be attached to a standard 8/3 1" DIN rail, see Fig 2. To remove device, lift the releasing clip and turn the unit anti-clockwise. Installed in Outlet Box.

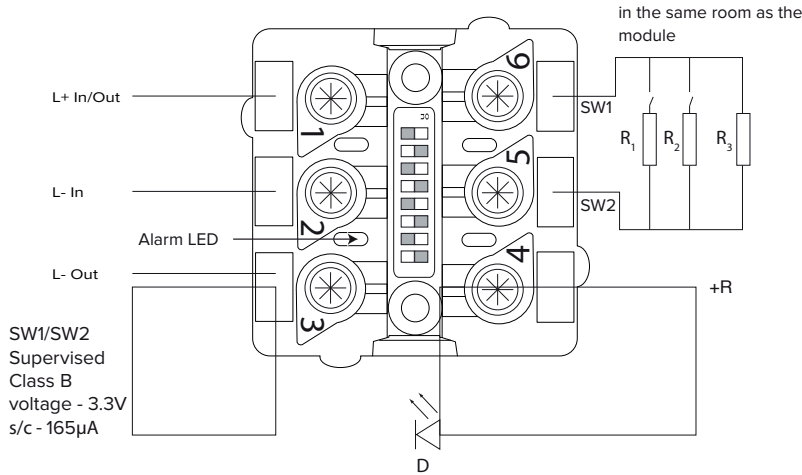
NOTE:

1. The Mini Monitor Module is not designed for outdoor use.
2. All circuits are power limited.
3. The unit must be installed in Outlet Box in a dedicated suitable UL listed enclosure, employing only power limited circuits.



Fig. 1 - Connections to the Terminals

Wiring options for the Mini Monitor Module

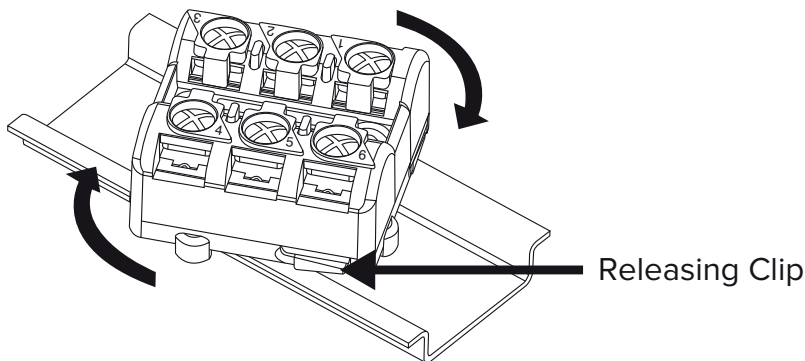


KEY

R1	Alarm	Short circuit
R2	Pre-Alarm	10KΩ
R3	End of Line	20KΩ
D1	Optional Remote LED	

Fig. 2 - Mini Monitor Module on a DIN Rail

Use UL listed resistors rated 10k for pre-alarm and 20k for end-of-line



The Mini Monitor Module has three status LEDs:

- Red : Indicates alarm condition.
- Green : Indicates normal polling.
- Note : Remote polling indication is achieved by connecting an LED across terminals three and four.
- Yellow : pulsing, trouble on the monitored circuit.

