

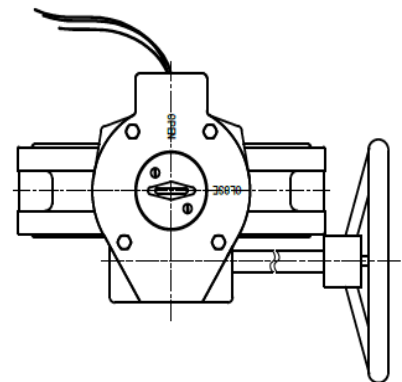
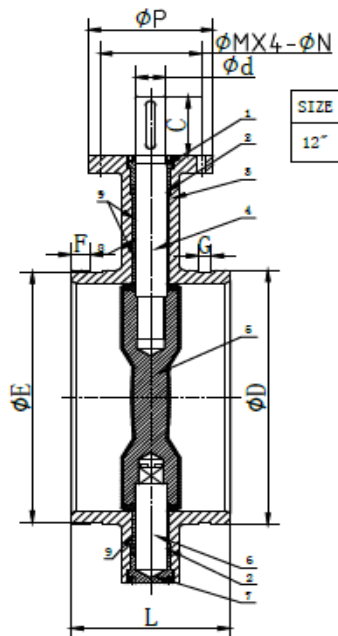
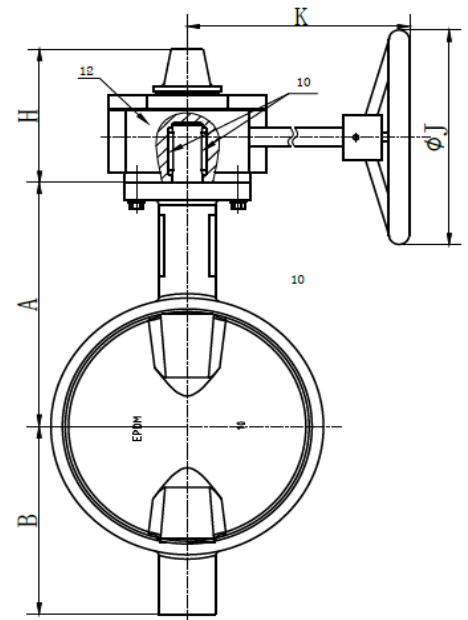
## BUTTERFLY VALVES, WAFER END MODEL: SD-300WK-BV

### SPECIFICATION

- Working pressure: 300psi
- Connection end: ASME B16.1 CL 125, ASME B16.5 CL 150
- Temperature: 0°C to 80°C
- Coating: Fusion Bonded Epoxy Coating complies with ANSI/AWWA C550

Part No.	Part Name	Material
1	Upper Shaft Sealing Nut	WCB
2	Shaft Seal	EPDM
3	Body	ASTM A536
4	Upper Shaft	SS416
5	Disc + Rubber Seat	Ductile Iron + EPDM
6	Lower Shaft	SS416
7	Lower Shaft Sealing Nut	WCB
8	End Face Seal	EPDM
9	O-Ring	EPDM
10	Stem Bush	C95400+Graphite
11	Key	WCB
12	Lower Shaft Seal*	EPDM
13	Gear Box	

\* Lower Shaft Seal only for 10".



Size	A	B	C	D	H	K		J	P	M	N	d	L
10"	260	200	63	320	126	210	232	300	125	102	12	30.5	66.5
12"	300	240	77	375	161	249		350	150	125	14	33	76.9

Unit : mm