

## BUTTERFLY VALVES, WAFER END

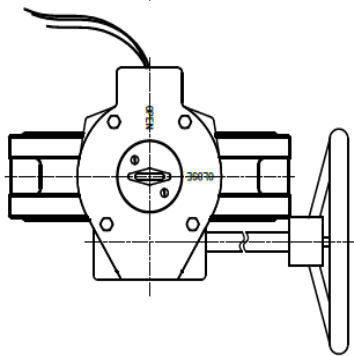
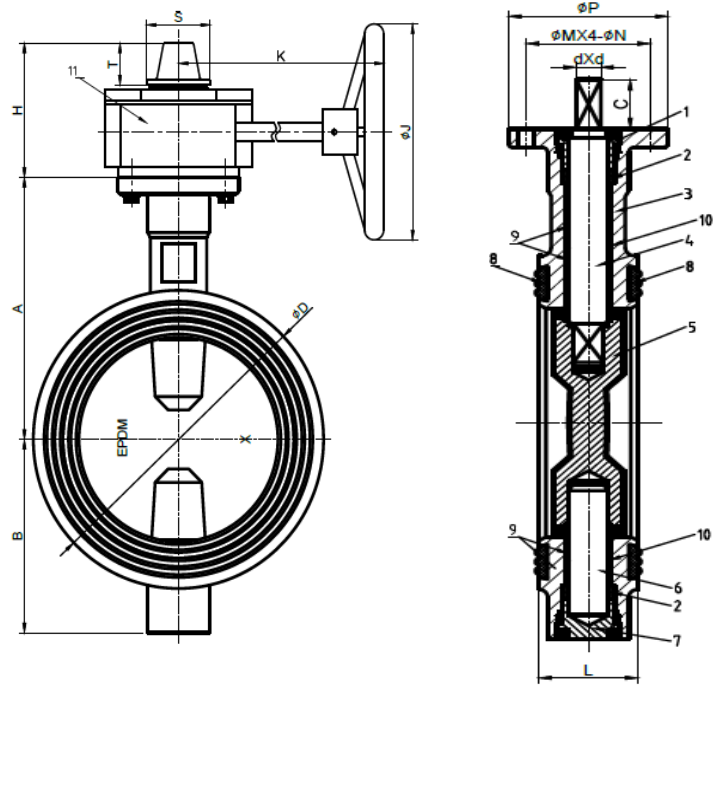
### MODEL: SD-300W-BV

#### SPECIFICATION

- Working pressure: 300psi
- Connection end: ASME B16.1 CL 125, ASME B16.5 CL 150
- Temperature: 0°C to 80°C
- Coating: Fusion Bonded Epoxy Coating complies with ANSI/AWWA C550



Part No.	Part Name	Material
1	Upper Shaft Sealing Nut	WCB
2	Shaft Seal	EPDM
3	Body	ASTM A536
4	Upper Shaft	SS416
5	Disc + Rubber Seat	Ductile Iron + EPDM
6	Lower Shaft	SS416
7	Lower Shaft Sealing Nut	WCB
8	End Face Seal	EPDM
9	Stem Bush	PTFE/C5400
10	O-Ring	EPDM
11	Gear Box	



Size	A	B	C	D	H	K		J	P	M	N	d	L	S	T
2"	110	85	32	100	111	153	218	152	90	70	9	10	42	58	46
2.5"	125	95	32	112	111	153	218	152	90	70	9	10	44.2	58	46
3"	140	100	32	120	111	153	218	152	90	70	9	11	45.3	58	46
4"	160	100	32	161	111	153	218	152	90	70	9	14	52	58	46
5"	170	125	32	182	111	153	218	152	90	70	9	14	54.4	58	46
6"	190	140	32	216	111	153	218	200	90	70	9	16	55.8	58	46
8"	230	172	32	260	126	210	232	300	125	102	12	19	60.5	65	45

Unit : mm