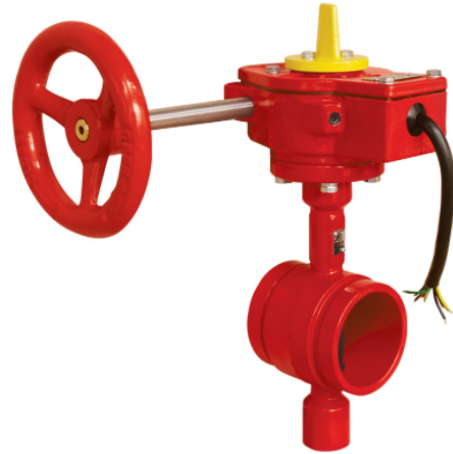


BUTTERFLY VALVES, GROOVED END

MODEL: SD-300GK-BV

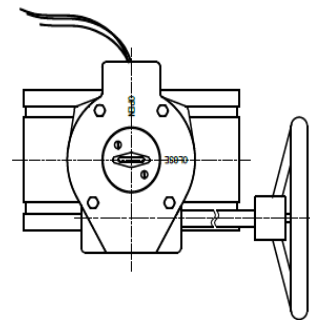
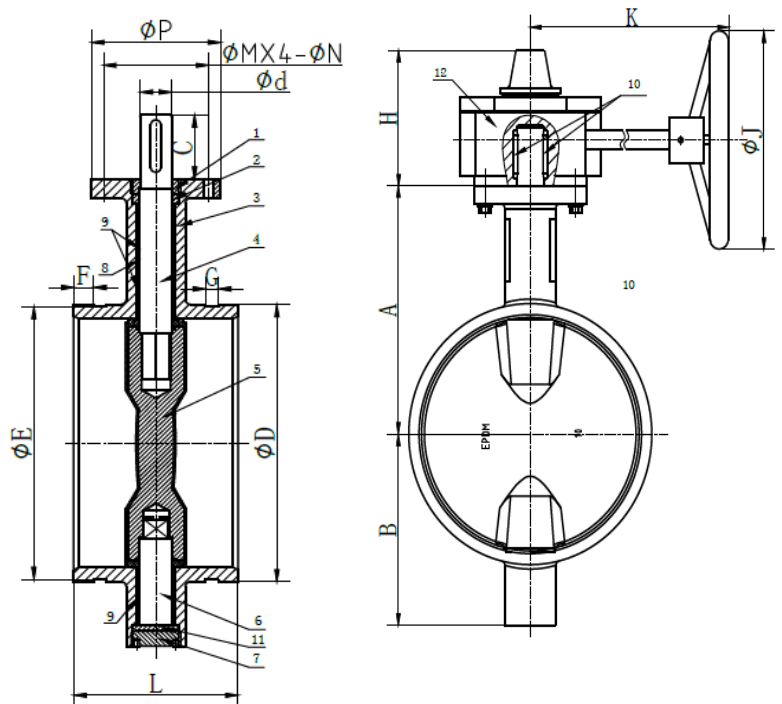
SPECIFICATION

- Working pressure: 300psi
- Connection end: Grooved to AWWA C606
- Temperature: 0°C to 80°C
- Coating: Fusion Bonded Epoxy Coating complies with ANSI/AWWA C550



Part No.	Part Name	Material
1	Upper Shaft Sealing Nut	WCB
2	Shaft Seal	EPDM
3	Body	ASTM A536
4	Upper Shaft	SS416
5	Disc + Rubber Seat	Ductile Iron + EPDM
6	Lower Shaft	SS416
7	Lower Shaft Sealing Nut	WCB
8	O-Ring	EPDM
9	Stem Bush	C95400+Graphite
10	Key	WCB
11	Lower Shaft Seal*	EPDM
12	Gear Box	

* Lower Shaft Seal only for 10".



Size	A	B	C	D	E	F	G	H	K	J	P	M	N	d	L	
10"	260	200	63	267.4	262.6	19	12.7	126	210	232	300	125	102	12	30.5	159
				273	268.3											
12"	300	240	77	318.5	312.9	19	12.7	161	249	350	150	125	14	33	165	
				323.8	318.3											

Unit : mm