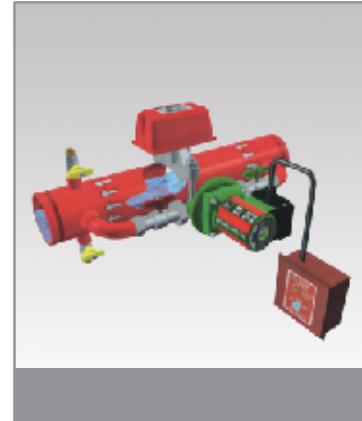


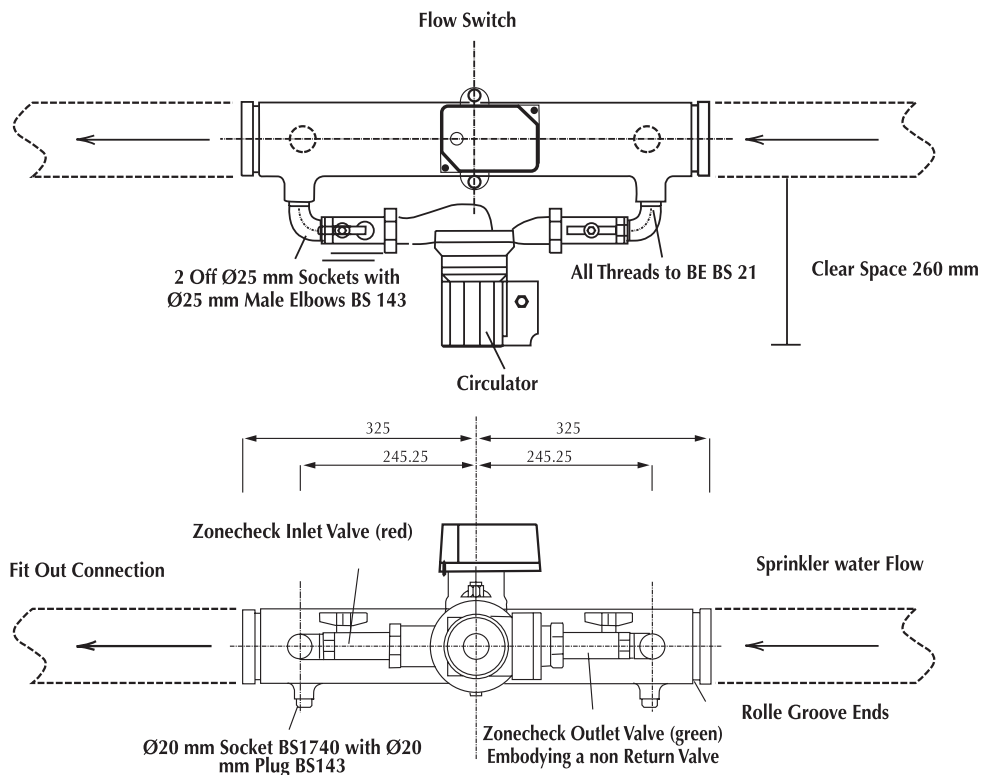
Shield - Zone Check Assembly

When a Fire Certificate is issued for sprinkler protected premises, it stipulates that the system must be maintained and tested to the British Standard. Currently, this is BS5306 Part-2. These rules makes quarterly switch test mandatory. The flow switch test can be difficult, time consuming and costly. The unique ZONECHECK system is the modern way to carry out this important test quickly, efficiently and inexpensively. Since its launch in 1998, ZONECHECK has so far been specified extensively by consulting engineers. It has been installed in a wide cross section of buildings in both new build and retrofit versions. These includes shopping centres, multi-storey offices, major retailers, airports, hotels, cinemas and warehouses. ZONECHECK is manufactured and marketed globally and available exclusively from accredited distributors. The fact is that ZONECHECK has filled an overdue need in the fire protection industry.



Zonecheck Assemblies & Retrofit Kit

Art No.	DN	Kg	FM	LPCB	UL	CE
ZONECHK50	50	14.30	✓	✓	✓	✓
ZONECHK65	65	14.90	✓	✓	✓	✓
ZONECHK80	80	16.50	✓	✓	✓	✓
ZONECHK100	100	18.70	✓	✓	✓	✓
ZONECHK150	150	24.30	✓	✓	✓	✓
ZONECHK50V	50	14.30	✓	✓	✓	✓
ZONECHK65V	65	14.90	✓	✓	✓	✓
ZONECHK80	80	19.50	✓	✓	✓	✓
ZONECHK100	100	18.70	✓	✓	✓	✓
ZONECHK150V	150	24.30	✓	✓	✓	✓
ZONECHKRET	RETFIT	9.00	✓	✓	✓	✓



Shield/2005 Shield reserves the right to change the contents without notice.