



Shield - Butterfly Valves, Grooved

UL Listed. **FM** Approved.

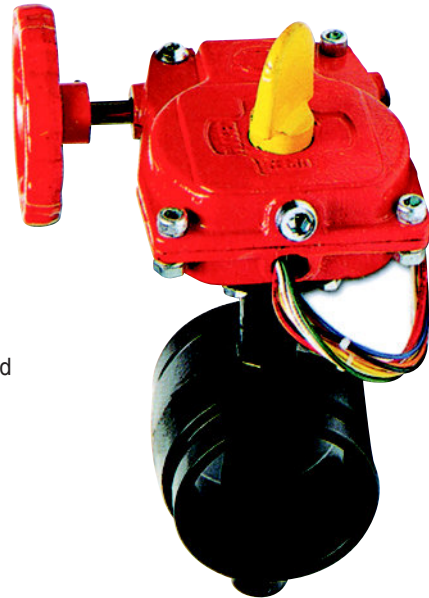
▲ **Model: SDBV-G**

Specifications

Size : 2-1/2" Through 8"
 Working Pressure : 175 psig
 Maximum Test Pressure : 300 psig
 Working Temperature : 200 °F (100 °C)
 Factory Installed with Approved Temperature Rating

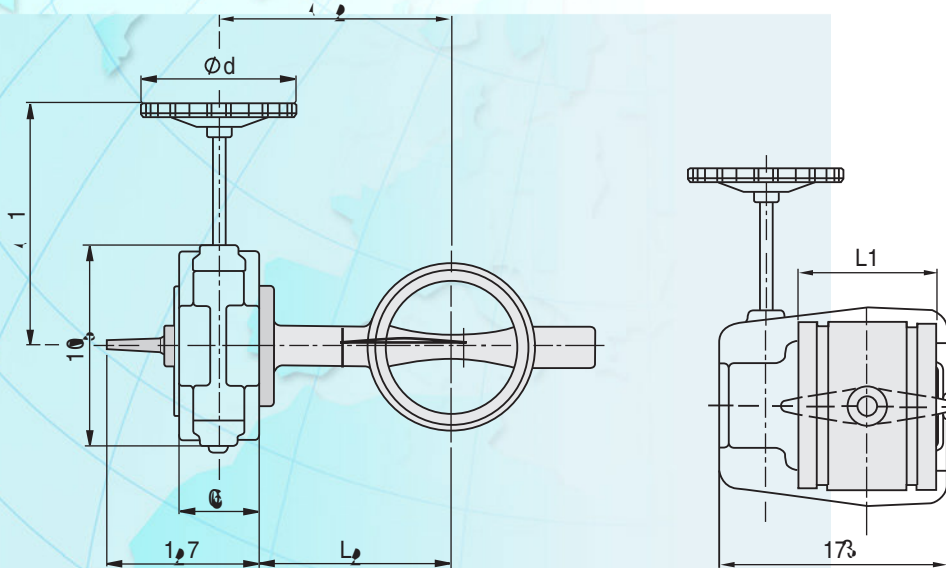
Material

Body : Ductile Iron, Nylon-11 Coated
 Disc : A-Bronze, Ductile Iron, EPDM Encapsulated
 Stem : Stainless Steel, Hardened & Tempered



Technical Data

Dimensions (SCH 40, C=120)



Dimensions - Weights

Unit: (inch)

Size	Pipe O.D	L1	L2	L1	L2	d	P.C.D	Weight (kg)
2-1/2"	73.0	9.64	10.3	13.3	13.3	1.2	-	4.2
3"	82.9	9.64	11.2	13.3	14.2	1.2	-	9.0
4"	114.3	11.34	14.3	13.3	17.3	1.2	-	10.7
6"	167.3	13.4	17.9	19.3	21.9	2.2	-	14.2
8"	219.1	147.4	21.4	19.3	23.4	2.2	-	21.4

