


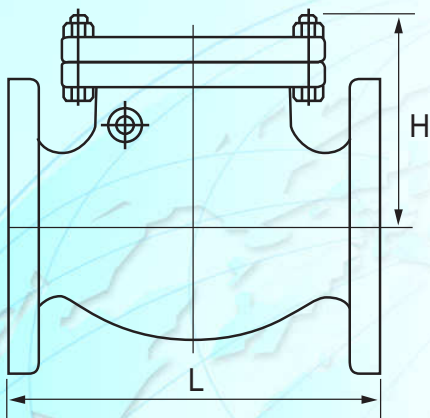


Shield - Check Valve

UL Listed.  **Approved.**

▲ Model: SD-NRV200CV Flanged Ends

The Flanged End Check Valves are made of Iron Body, Bolted Bonnet and Horizontal Swing, painted with standard color. Epoxy coated inside and outside to AWWA C550 up on request. It has renewable seat and discs, Flanged Ends to ANSI B16.1 with working pressure 200 psi for non shock cold water, suitable for Horizontal and Vertical installation.



Body	Cast Iron	ASTM A126-B
Bonnet	Cast Iron	ASTM A126-B
Disc	Cast Iron	ASTM A126-B
Stem	Cast Bronze	ASTM B62

Also available in all Iron Trim disc.

Product Specifications

Size	L	H	WT LBS
3" (76mm)	9-1/2" (241mm)	5-51/64" (147mm)	46
4" (102mm)	11-1/2" (292mm)	6-45/64" (170mm)	81
5" (127mm)	13" (330mm)	7-51/64" (198mm)	115
6" (152mm)	14" (356mm)	8-1/2" (216mm)	150
8" (203mm)	19-1/2" (495mm)	10-13/32" (264mm)	253
10" (254mm)	24-1/2" (622mm)	11-29/32" (302mm)	442
12" (305mm)	27 1/2"	13-1/2" (343mm)	638

Shield - Check Valve

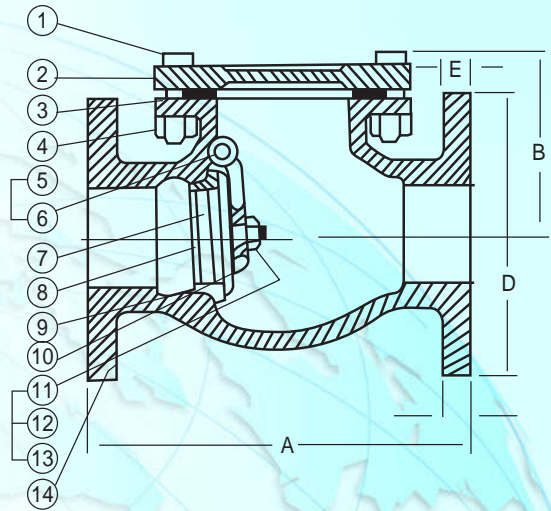


UL Listed. **FM** Approved.

▲ **Model: SD-NRV200CV Flanged Ends**

Materials List

No.	Description	Material	Specification
1	Cover Bolt	Steel	ASTM A-307
2	Cover	Cast Iron	ASTM A126-B
3	Cover Gasket	Non-Asbestos Sheet	
4	Cover Bolt Nut	Steel	ASTM A-307
5	Hanger Pin	Brass	ASTM B-16
6	Side Plug	Steel	ASTM A-307
7	Disc	Cast Iron	ASTM A126-B
8	Disc Seat Ring	Cast Bronze	ASTM B-62
9	Body Seat Ring	Cast Bronze	ASTM B-62
10	Hanger	Ductile Iron	ASTM A-536
11	Disc Nut	Steel	ASTM A307
12	Washer	Steel	ASTM A307
13	Split Pin	Stainless Steel	
14	Body	Cast Iron	ASTM A126-B



Dimensions & Weights

Nominal Size	Dimensions in inches				Approx. Net Wt (Lbs)
	A	B	D	E	
3"	9 ¹ / ₂	5 ³ / ₄	7 ¹ / ₂	3 ³ / ₄	46
4"	11 ¹ / ₂	6 ¹¹ / ₁₆	9	15 ¹⁵ / ₁₆	81
5"	13	7 ³ / ₄	10	15 ¹⁵ / ₁₆	115
6"	14	8 ¹ / ₂	11	1	150
8"	19 ¹ / ₂	10 ¹ / ₂	13 ¹ / ₂	1 ¹ / ₈	253
10"	24 ¹ / ₂	11 ¹ / ₂	16	1 ³ / ₁₆	442
12"	27 ¹ / ₂	13 ¹ / ₂	19	1 ¹ / ₄	638

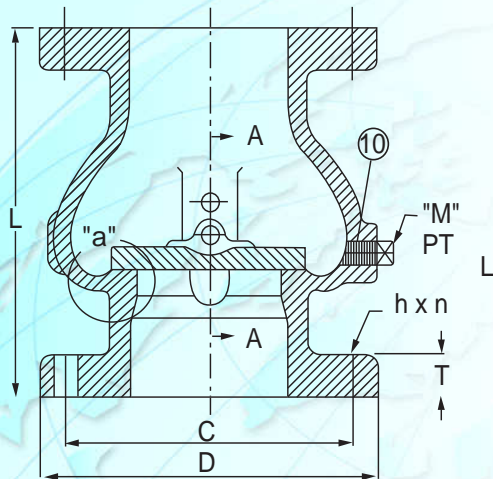


Shield - Check Valve

UL Listed. **FM** Approved.

▲ Model: SD-NRV250CV Flanged Ends

The Check Valve are made from Ductile Iron Body, Vertical swing type dual plate made of cast bronze, EPDM plate seal, painted with standard color. Epoxy coated inside and outside to AWWA C550 up on request It has renewable seat and discs, Flanged Ends to ANSI B16.1 with working pressure 250 psi for non-shock cold water, suitable for Horizontal and Vertical installation.



Body	Ductile Iron	ASTM A536
Plate	Cast Bronze	ASTM B62
Plate Seal	EDPM	Commercial

Product Specifications

Size	L	H	WT LBS
3" (76mm)	5-1/8" (130mm)	5-1/2" (140mm)	8.8
4" (102mm)	5-5/8" (143mm)	6-5/16" (160mm)	12.3
6" (152mm)	7" (178mm)	9-1/4" (235mm)	27.7
8" (203mm)	8-1/4" (210mm)	11-1/4" (286mm)	48.4
10" (254mm)	10" (254mm)	13-3/8" (340mm)	74.8
12" (305mm)	12" (305mm)	16-1/4" (413mm)	122

Shield - Check Valve

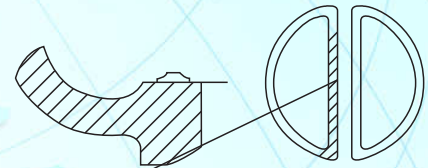


UL Listed. **FM** Approved.

Model: SD-NRV250CV Flanged Ends

Materials List

No.	Description	Material	Specification
1	Body	Ductile Iron	ASTM A-536
2	Body Seal	EPDM	
3	Disc	Cast Bronze	ASTM B-62 (C83600)
4	Spring	Stainless Steel	AISI-316
5	Hinge Pin	Stainless Steel	AISI-316
6	Washer	Teflon	
7	Thrust Washer	Teflon	
8	Plug	Mild Steel	ASTM A105-80
9	Washer	Teflon	
10	Square Plug	Mild Steel	ASTM A105-80



Dimensions & Weights

Unit: inch

Normal Size	Dimensions in Inches						Net. Wt.
	L	C	D	T	D	M P T	
3"	6-5/8	6	7-1/2	3/4	5/16	1/2	8.8
4"	7-1/2	7-1/2	9	15/16	3/16	1/2	12.3
6"	9	9-1/2	11	1	3/16	3/16	27.7
8"	10-1/2	11-3/4	13-1/2	1-1/8	7/16	3/4	48.4

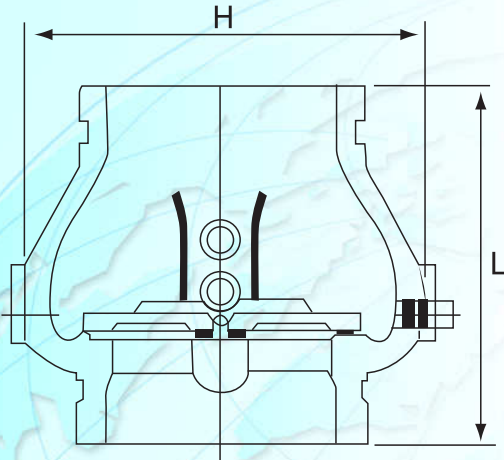


Shield - Check Valve

UL Listed. **FM** Approved.

▲ **Model: SD-NRV250CVG Grooved Ends**

The Check Valve are made from Ductile Iron Body, Vertical swing type dual plate made of cast bronze, EPDM plate seal, painted with standard color. Epoxy coated inside and outside to AWWA C550 up on request. It has renewable seat and discs, Grooved Ends with working pressure 250 psi for non-shock cold water, suitable for Horizontal and Vertical installation.



Body	Ductile Iron	ASTM A536
Plate	Cast Bronze	ASTM B62
Plate Seat	EPDM	Commercial

Product Specifications

Size	L	H	WT LBS
3" (76mm)	5-1/8" (130mm)	5-1/2" (140mm)	8.8
4" (102mm)	5-5/8" (143mm)	6-5/16" (160mm)	12.3
6" (152mm)	7" (178mm)	9-1/4" (235mm)	27.7
8" (203mm)	8-1/4" (210mm)	11-1/4" (286mm)	48.4
10" (254mm)	10" (254mm)	13-3/8" (340mm)	74.8
12" (305mm)	12" (305mm)	16-1/4" (413mm)	122



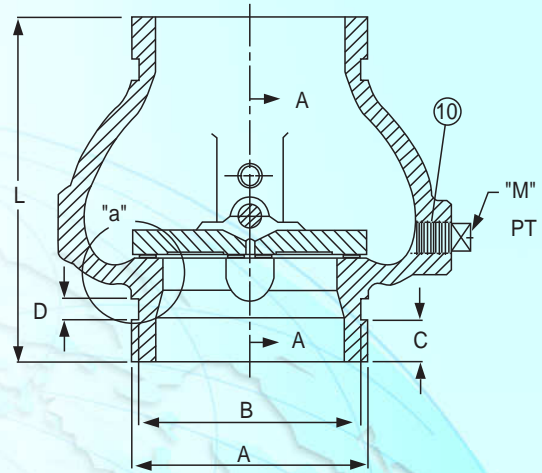
Shield - Check Valve

UL Listed. **FM** Approved.

▲ **Model: SD-NRV250CVG Grooved Ends**

Materials List

No.	Description	Material	Specification
1	Body	Ductile Iron	ASTM A536
2	Body Seal	EPDM	
3	Disc	Cast Bronze	ASTM B62(C83600)
4	Spring	Stainless Steel	AISI 316
5	Hing Pin	Stainless Steel	AISI 316
6	Washer	Teflon	
7	Thrust Washer	Teflon	
8	Plug	Mild Steel	A105-80
9	Washer	Teflon	
10	Squire Plug	Mild Steel	A307-B



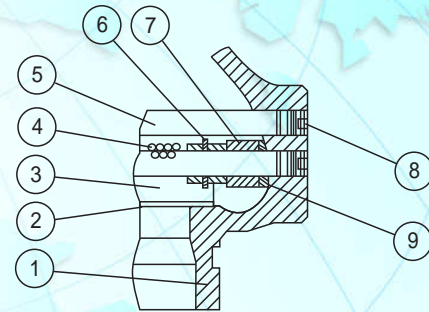
Dimensions & Weights

Unit: inch

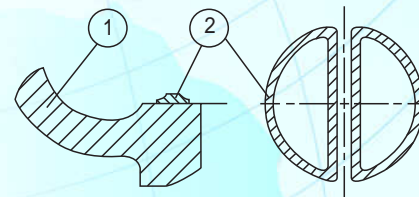
Normal Size	Dimensions in Inches						Net. Wt.
	L	A	B	C	D	M PT	
3"	5-1/8	3-1/2	3-11/32	5/8	5/16	1/2	8.8
4"	5-5/8	4-1/2	4-21/32	5/8	3/16	1/2	12.3
6"	7	6-5/8	6-29/64	5/8	3/16	3/16	27.7
8"	8-1/4	8-5/8	8-7/16	3/4	7/16	3/4	48.4

NOTE:

Valve groove dimensions per AWWA C-606 for steel pipe of I.P.S. dimensions. Optional grooved end configurations for ductile cast iron pipe per AWWA C-606 available upon request.



SECTION A-A



"a" Detail

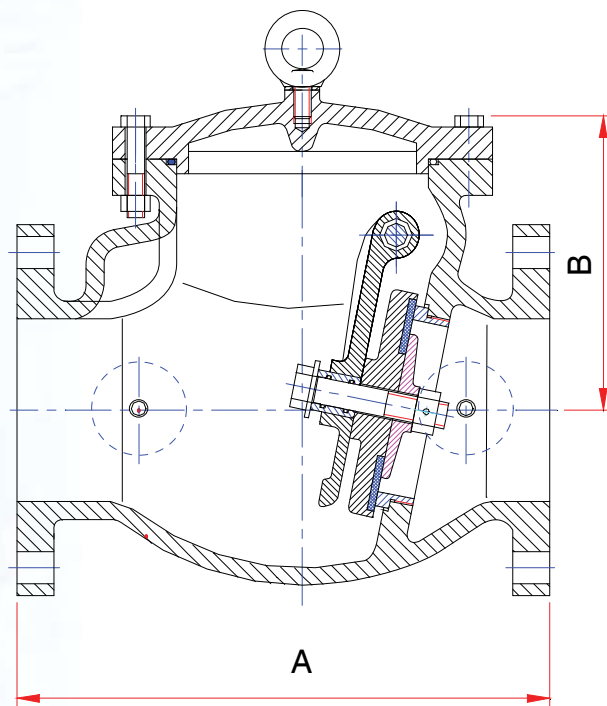
Shield - Check Valves



Approved.

▲ Model: SD-NRV300CV

The Flanged End Check Valves are with Ductile Iron Body, Bolted Bonnet and Horizontal Swing, Painted with Standard colour, comply with AWWA C508, Fusion Bonded Epoxy Coated Interior and Exterior. Flanged to CLASS 150 ANSI B16.5 with a working pressure **300psi / 21 bar** non shock cold water.



Dimensions (inch / mm)

Size	A		B	
	in	mm	in	mm
2.5"	10.0	254	5 ¹ / ₂	140
3.0"	11.0	279	5 ³ / ₄	146
4.0"	13.0	330	6 ³ / ₄	171
5.0"	14.0	356	8	203
6.0"	16.0	406	8 ³ / ₄	222
8.0"	19 ¹ / ₂	495	10 ¹ / ₂	267
10.0"	22.0	559	12 ¹ / ₄	311
12.0"	26.0	660	13 ¹ / ₂	343

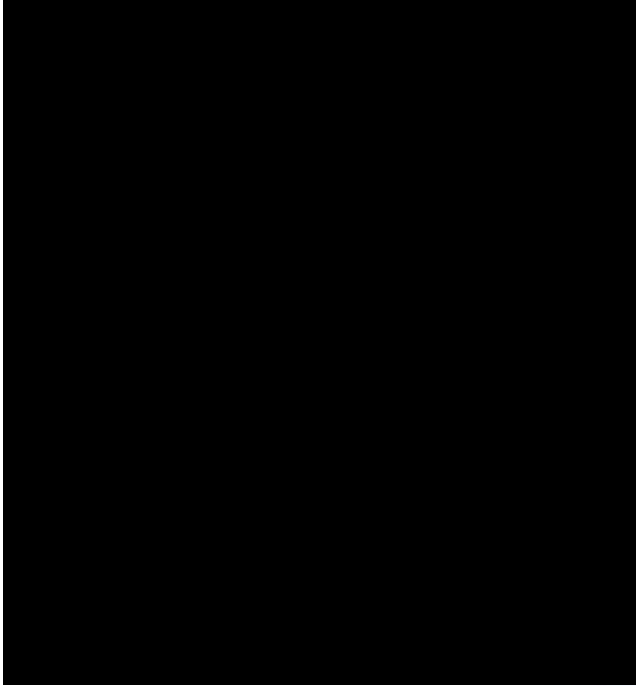
Note : UL is Pending

Shield - Check Valves



Approved.

▲ Model: SD-NRV300CV



Material List

No.	Description	Specification
1	Body	DL ASTM A536 Gr65-45-12
2	Bolt M12x70	SS304
3	Washer 12	SS304
4	Clapper Arm	DL ASTM A536 65-45-12
5	Stud Bushing	Brass, ASTM B16
6	Disc	DL ASTM A536 Gr65-45-12
7	Seat Ring	Bronze, ASTM B62
8	Retainer Washer	Bronze, ASTM B62
9	Nut M12	SS304
10	Cotter Pin	SS304
11	Hinge Pin	SS304
12	Hinge Bushing	Brass, ASTM B16
13	Hinge Plug	SS304
14	Plug Washer	PTFE
15	O Ring 136x7	EPDM
16	Cover	DL ASTM A536 Gr65-45-12
17	Bolt M14x35	CS, ASTM A307B
18	Bolt M14x55	CS, ASTM A307B
19	Nut M14	CS, ASTM A307B
20	Washer	CS, ASTM A307B
21	Side Plug 1/4" NPT	Brass, ASTM B16
22	O Ring 12.5x2.65	EPDM