



Shield - Butterfly Valves, Grooved

UL Listed. **FM** Approved.

▲ **Model: SDBV-G300**

Specifications

Size : 2 -1/2" Through 8"
 Working Pressure : 300 psi (21.5 Bars)
 Max. Test Pressure : 600 psi (43.0 Bars)
 Working Temp. : 250°F (120°C)
 Factory Installed UL Approved Tampered Switch.

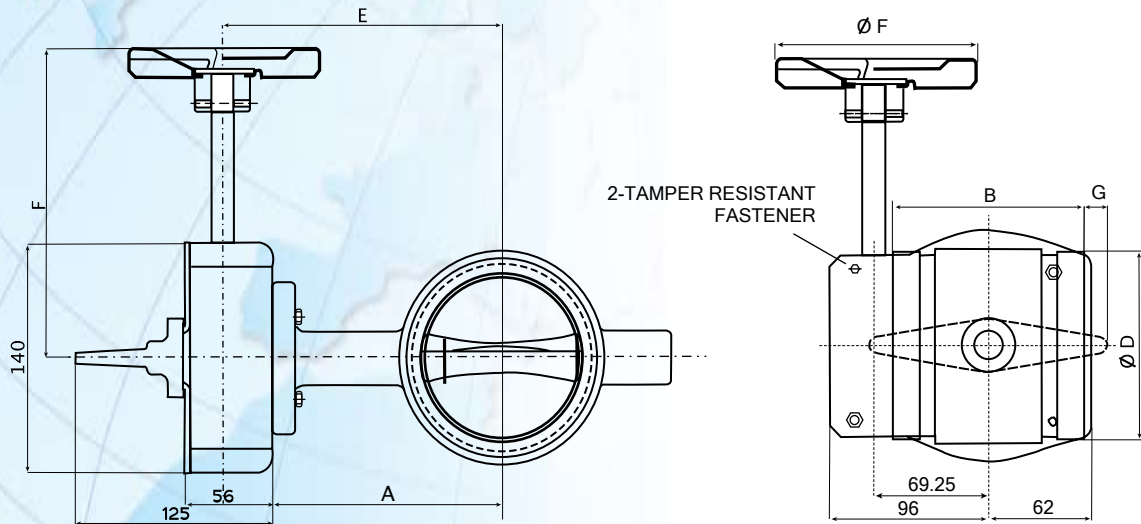
Materials

Body : Ductile Iron, Nylon-11 coated
 Disc : Al-Bronze, Ductile Iron, EPDM Encapsulated
 Stem : Stainless Steel, Hardened & Tempered
 Housing : Ductile Iron (ASTM A-536)
 Hand Wheel : Ductile Iron (ASTM A-536)



Technical Data

Dimensions




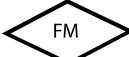
Dimensions - Weights

Unit : mm (inch)

Size	A	B	C	D	E	F	G
2-1/2"	105 (4.13)	96.4 (3.80)	168 (6.61)	73.1 (2.88)	137 (5.39)	125 (4.92)	-
3"	112 (4.41)	96.4 (3.80)	168 (6.61)	88.9 (3.50)	144 (5.67)	125 (4.92)	-
4"	145 (5.71)	115.4 (4.54)	168 (6.61)	114.3 (4.50)	177 (6.97)	125 (4.92)	-
6"	179 (7.05)	132.4 (5.21)	208 (8.19)	168.3 (6.63)	211 (8.31)	225 (8.86)	6.8 (0.27)
8"	204 (8.03)	147.4 (5.80)	208 (8.19)	219.1 (8.62)	236 (9.29)	225 (8.86)	24.2 (0.95)



Shield - Butterfly Valves, Wafer

 Listed.
  Approved.

▲ Model: SDBV-W300



Specifications

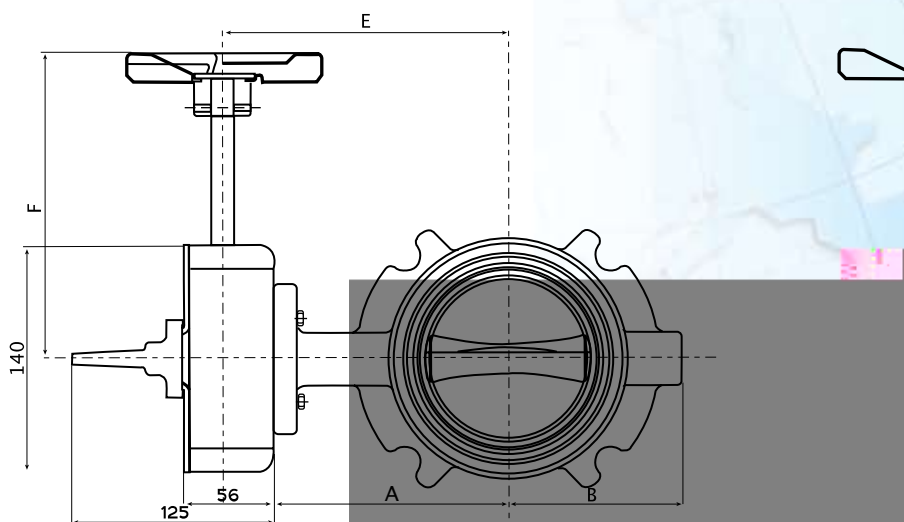
Size : 2 -1/2" Through 8"
 Working Pressure : 300 psi (21.5 Bars)
 Max. Test Pressure : 600 psi (43.0 Bars)
 Working Temp. : 250°F (120°C)
 Factory Installed UL Approved Tampered Switch.

Materials

Body : Ductile Iron, EPDM Encapsulated
 Disc : Al-Bronze, Ni-Cr Plated
 Stem : Stainless Steel, Hardened & Tempered
 Housing : Ductile Iron (ASTM A-536)
 Hand Wheel : Ductile Iron (ASTM A-536)

Technical Data

Dimensions



Dimensions - Weights

Unit : mm (inch)

Size	A	B	C	D	E	F	G	H
2-1/2"	120 (4.72)	85 (3.35)	49 (1.93)	116 (4.57)	150 (5.91)	168 (6.61)	125 (4.92)	9.5 (0.35)
3"	127 (5.00)	92 (3.62)	49 (1.93)	132 (5.20)	157 (6.18)	168 (6.61)	125 (4.92)	16.0 (0.63)
4"	145 (5.71)	108 (4.25)	55 (2.71)	152 (5.98)	175 (6.89)	168 (6.61)	125 (4.92)	25.0 (0.98)
6"	180 (7.09)	145 (5.71)	59 (2.32)	207 (8.15)	210 (8.27)	208 (8.19)	225 (8.86)	45.3 (1.78)
8"	204 (8.03)	170 (6.69)	63 (2.48)	262 (10.31)	234 (9.21)	208 (8.19)	225 (8.86)	68.5 (2.70)